

PRODUCT NAME : HK-7035AS-582-2-M7

1. SPECIFICATION :

- 1.SENSOR SIZE
- 2.WAVELENGTH
- 3.FOCAL LENGTH (EFL)
- 4.F/NO (INFINITE)
- 5.BACK FOCAL LENGTH
- 6.FLANGE BACK LENGTH
- 7.FIELD OF VIEW
- 8.TV DISTORTION (DIAGONAL)
- 9.Thread Size
- 10.Element

1/4"

$\lambda = 400 \sim 650 \text{NM}$

$f = 3.27 \text{ mm}$

F/NO = 3

BFL = 2.17 mm

FB = 1.2 mm

= D=80° H=60° V=45°

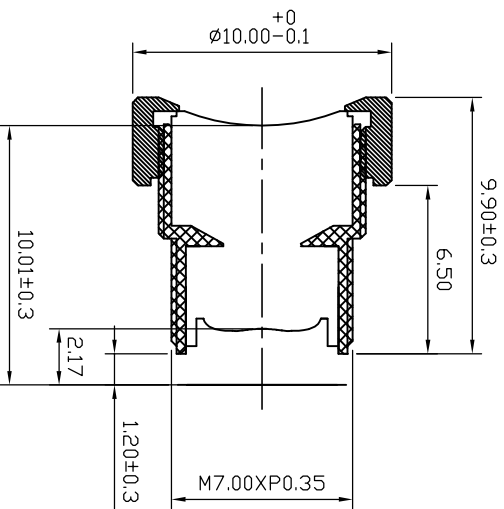
< 1.0%

M7x0.35P

5P

2. OPTICAL LAYOUT :

scale 1 : 1



REV	DESCRIPTION	DATE	NAME
①			
②			
③			
④			

NAME	HK-7035AS-582-2-M7	SCALE	4:1	DRAWN
VIEW		DATE	2013.7.24	CHECKED
REV	OO	BORDER	A4	APPROVED

HK 深圳市光通光电科技有限公司
SHENZHEN HK OPTICAL CO.,LTD